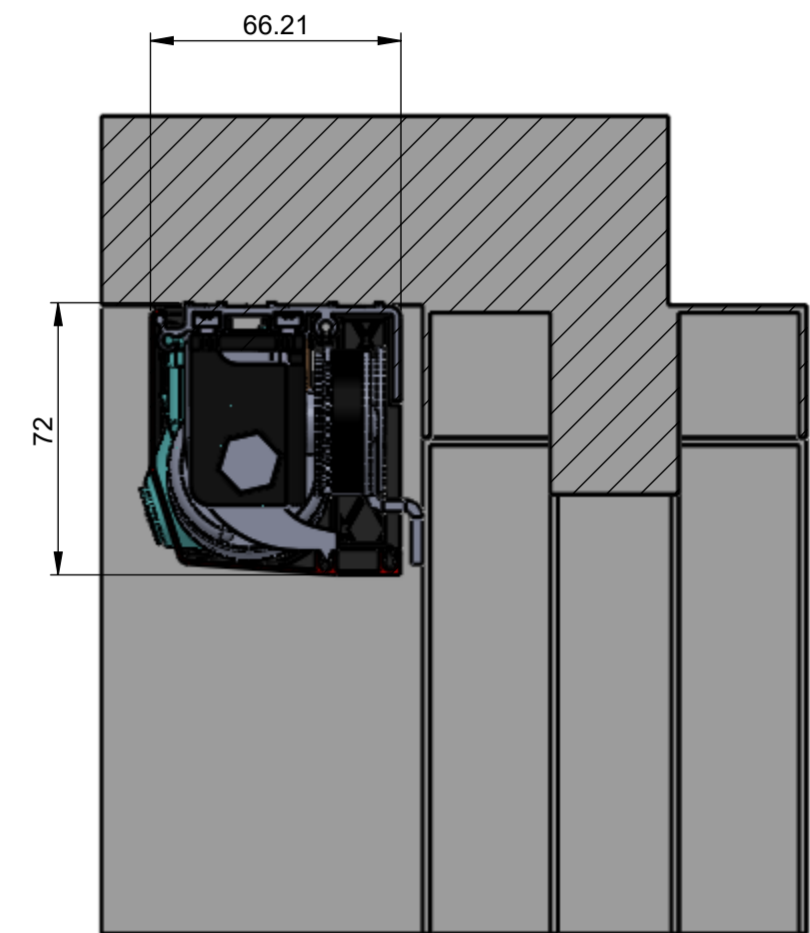
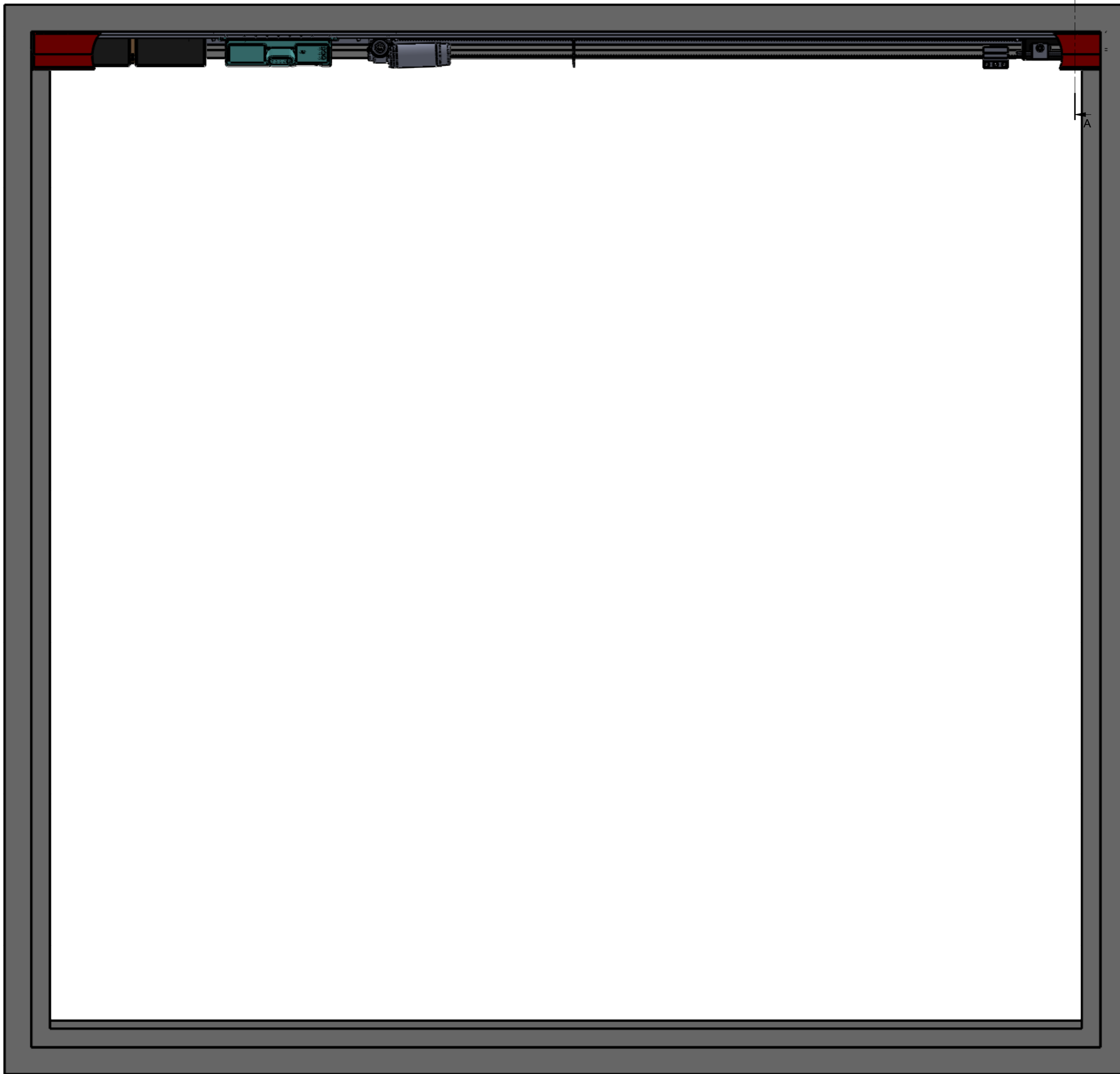


Material & Finish			
Drawn By: Yogi Ganesan	Date: 11/04/2016		
Checked By: Yogi Ganesan	Approved By: N/A	Release Number: N/A	
	Part Number	Part Revision	Drawing Revision
Part Number:	000000	01	1A
Part Name: Multidrive Sliding Door			
	Drawing Scale NTC	All Dimensions Millimetres	Page 1 of 1 Page Size A2



SECTION A-A
SCALE 1 : 2